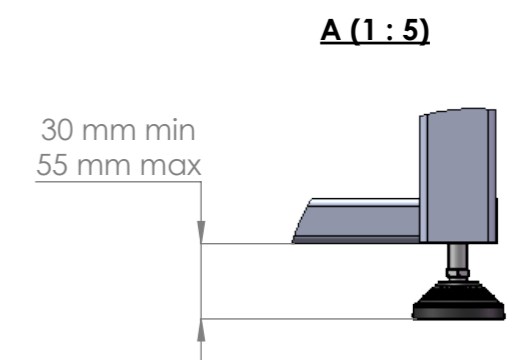
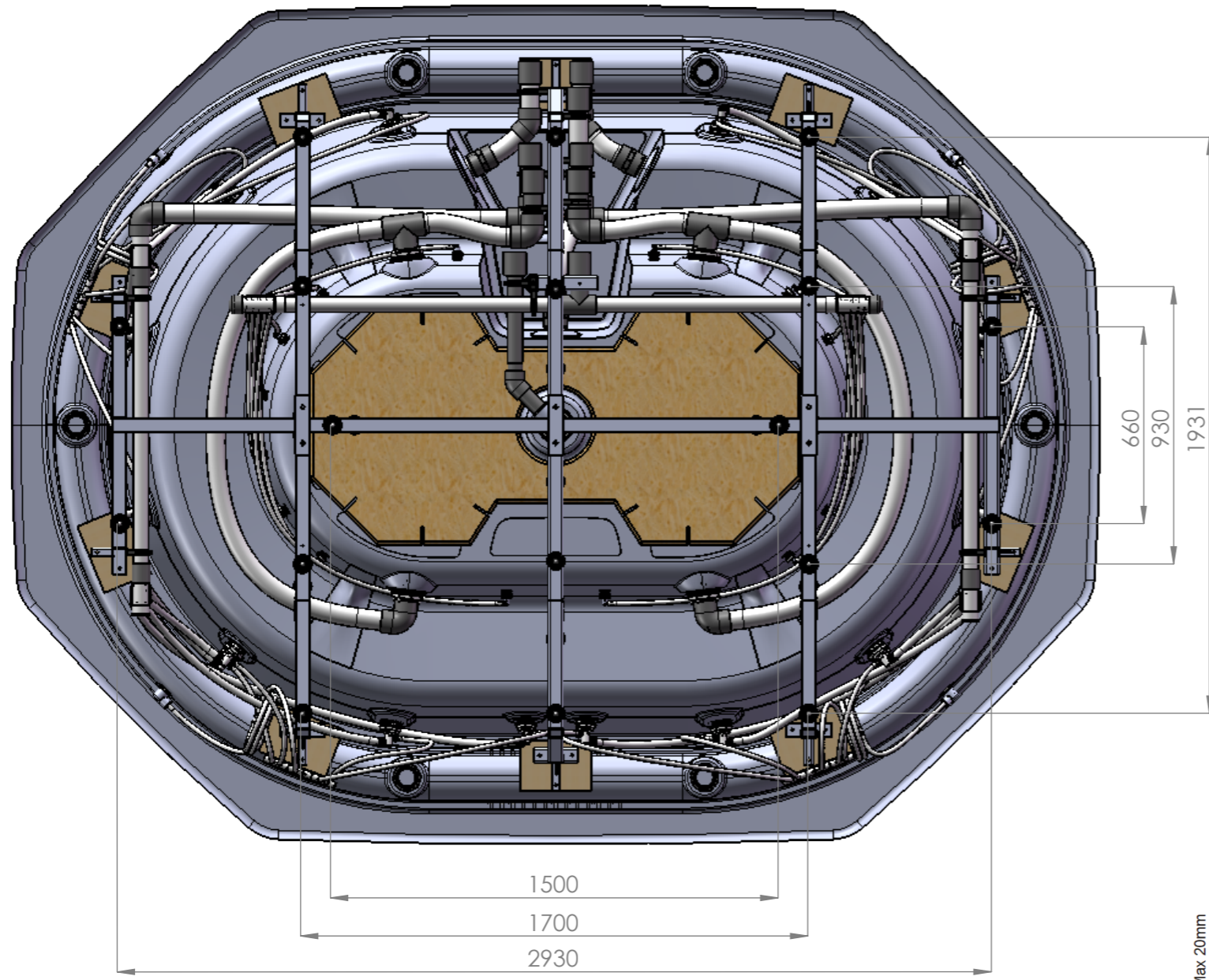
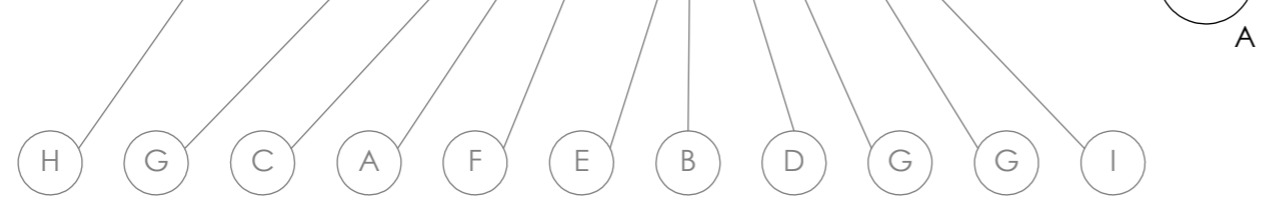
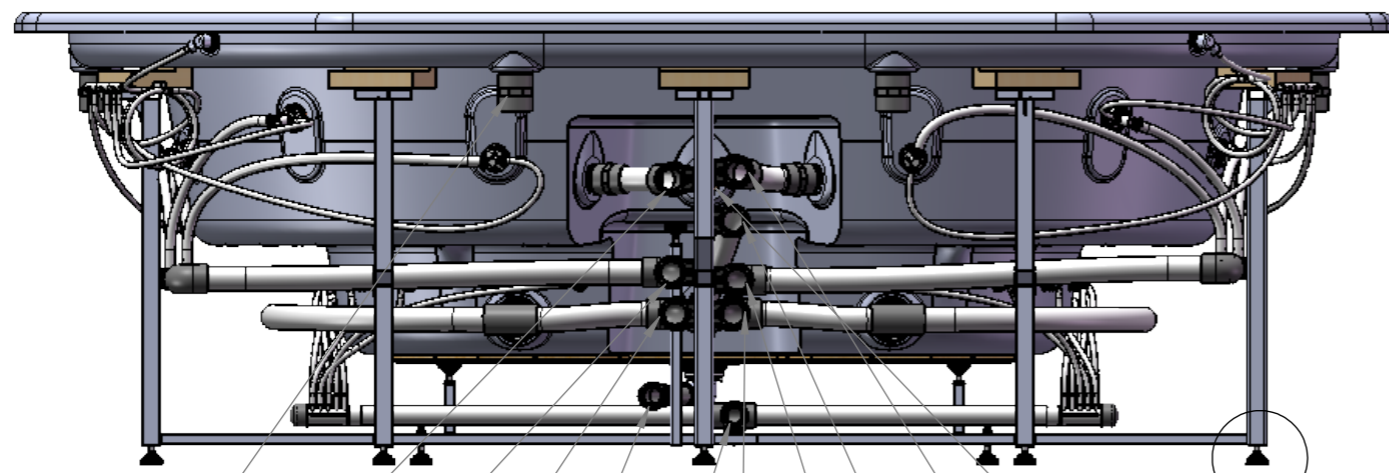
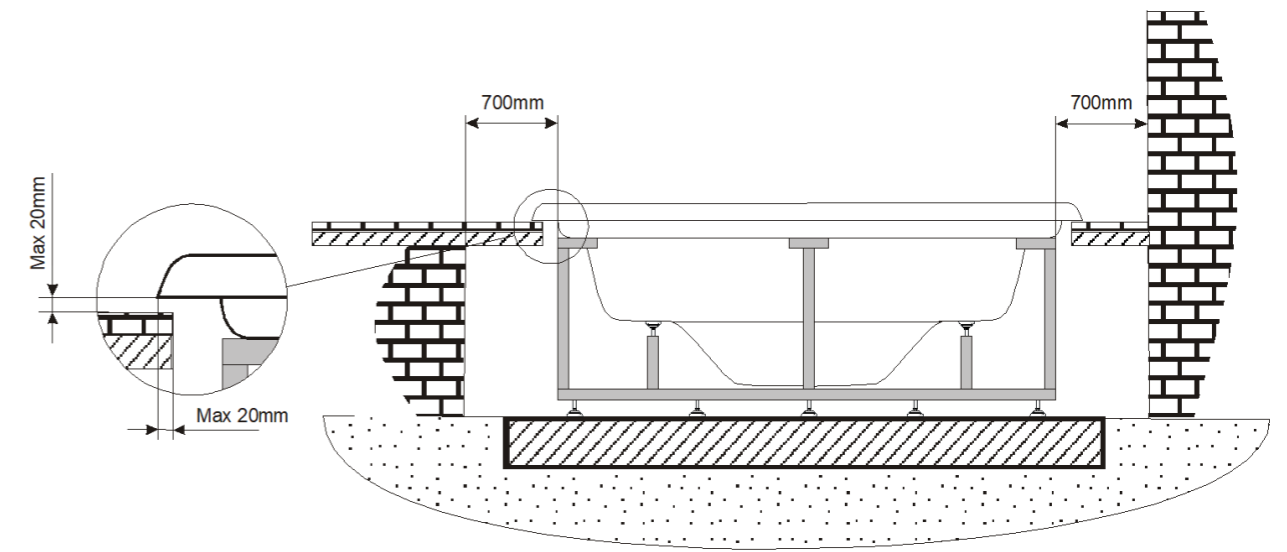


A	Suction-Water Massage Pump 1	Ø63 FEMALE THREAD
B	Suction-Water Massage Pump 2	Ø63 FEMALE THREAD
C	Return-Water Massage Pump 1	Ø63 FEMALE THREAD
D	Return-Water Massage Pump 2	Ø63 FEMALE THREAD
E	Return-Air Massage	Ø63 FEMALE THREAD
F	Suction/Return-Filtration Pump Bottom Spa	Ø63 FEMALE THREAD
G	Return-Filtration Pump Inlets (2x)	Ø63 FEMALE THREAD
H	Overflow Drains	Ø75 FEMALE THREAD
I	Light (Optional)	Optional



WARNING:
It's essential to keep a minimum clearance access of **700mm** all around.



According to our policy of continuous improvement, dimensions, features or components of this product can be partially or completely changed without prior notice.
It's Customer responsibility to verify that this is the last version of the drawing

Change No.	Date	Name	Modification			
Remarks				COMMERCIAL		
Dimensions in mm. General Tolerances +/- 10mm						
Drawn	11/06/2020	C.Fernandez			Part Number	Rev.
Checked	11/06/2020	X.Codina			73588	00
Scale	1:20		General Tolerance			First Angle Projection
Sheet	2/3		DIN 7168 ISO 2768g			