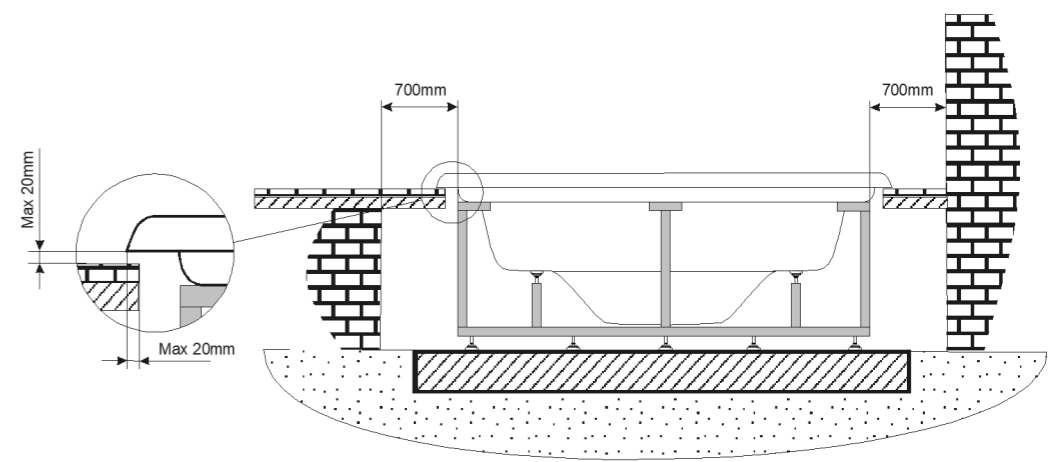
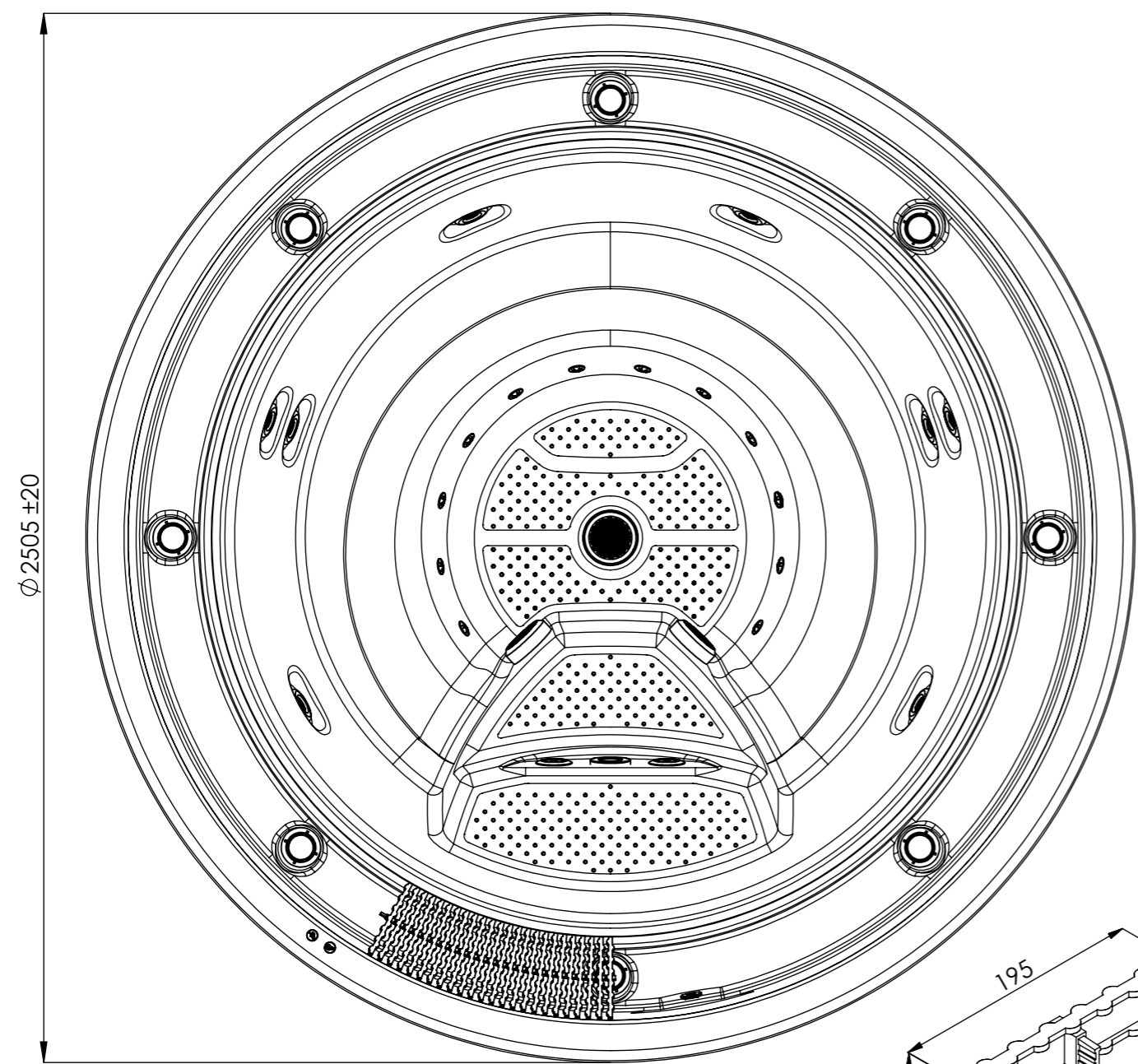
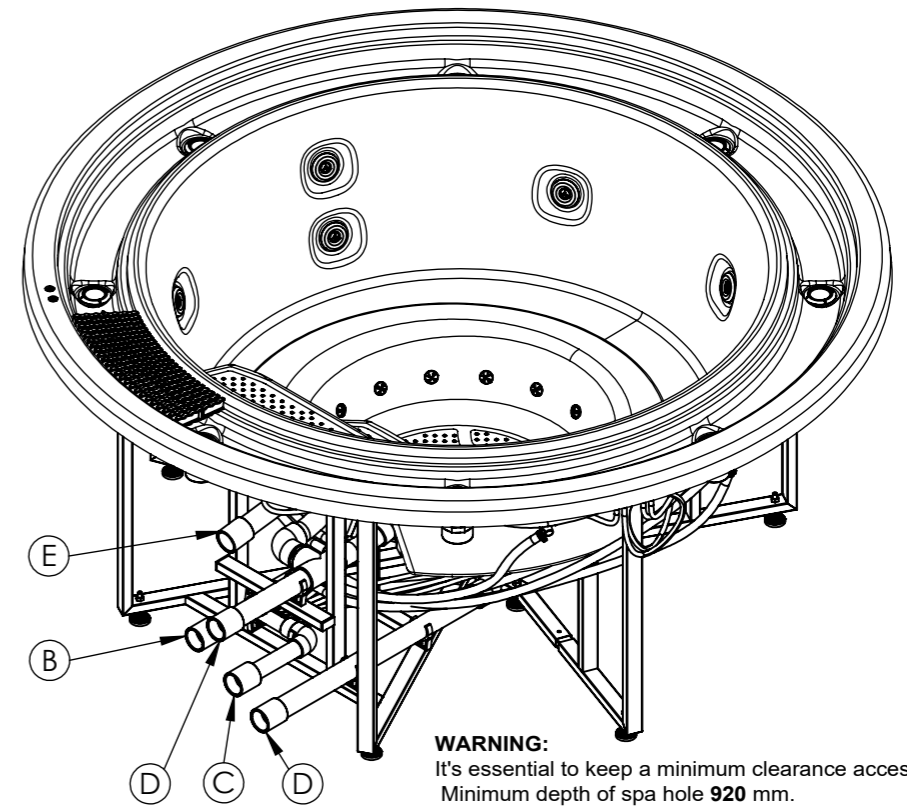
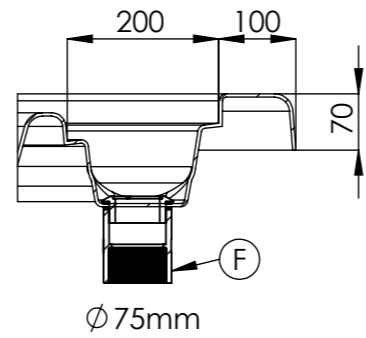


		41453	43743
A	Suction-Water Massage Pump 1	2" BSP FEMALE THREAD	2" BSP FEMALE SOLVENT SOCKET
B	Return-Water Massage Pump 1	2" BSP FEMALE THREAD	2" BSP FEMALE SOLVENT SOCKET
C	Return-Air Massage	2" BSP FEMALE THREAD	2" BSP FEMALE SOLVENT SOCKET
D	Suction/Return-Filtration Pump Bottom Spa	2" BSP FEMALE THREAD	2" BSP FEMALE SOLVENT SOCKET
E	Return-Filtration Pump Inlets	2" BSP FEMALE THREAD	2" BSP FEMALE SOLVENT SOCKET
F	Overflow Drains (8x)	Ø 75mm SOLVENT SOCKET	Ø 75mm SOLVENT SOCKET
G	Light	1 u.	1 u.



According to our policy of continuous improvement, dimensions, features or components of this product can be partially or completely changed without prior notice.
It's Customer responsibility to verify that this is the last version of the drawing

Change No.	Date	Name	Modification
06	05/05/2020	A.Miquel	New spa mould 2020.
05	17/02/2016	I.Pozo	Light and drain changed.
04	12/06/2014	I.Pozo	New templates.
03	19/09/2013	X.Codina	New templates.
02	22/03/2013	I.Pozo	Drawing updated.

Remarks Dimensions in mm. General Tolerances +/- 10mm			COMMERCIAL	
Drawn	05/05/2020	A.Miquel		Rev. 06 First Angle Projection
Checked	05/05/2020	X.Codina		
Scale	1:15 General Tolerance DIN 7168 ISO 2768g			
Sheet	1/1			
			41453 43743	